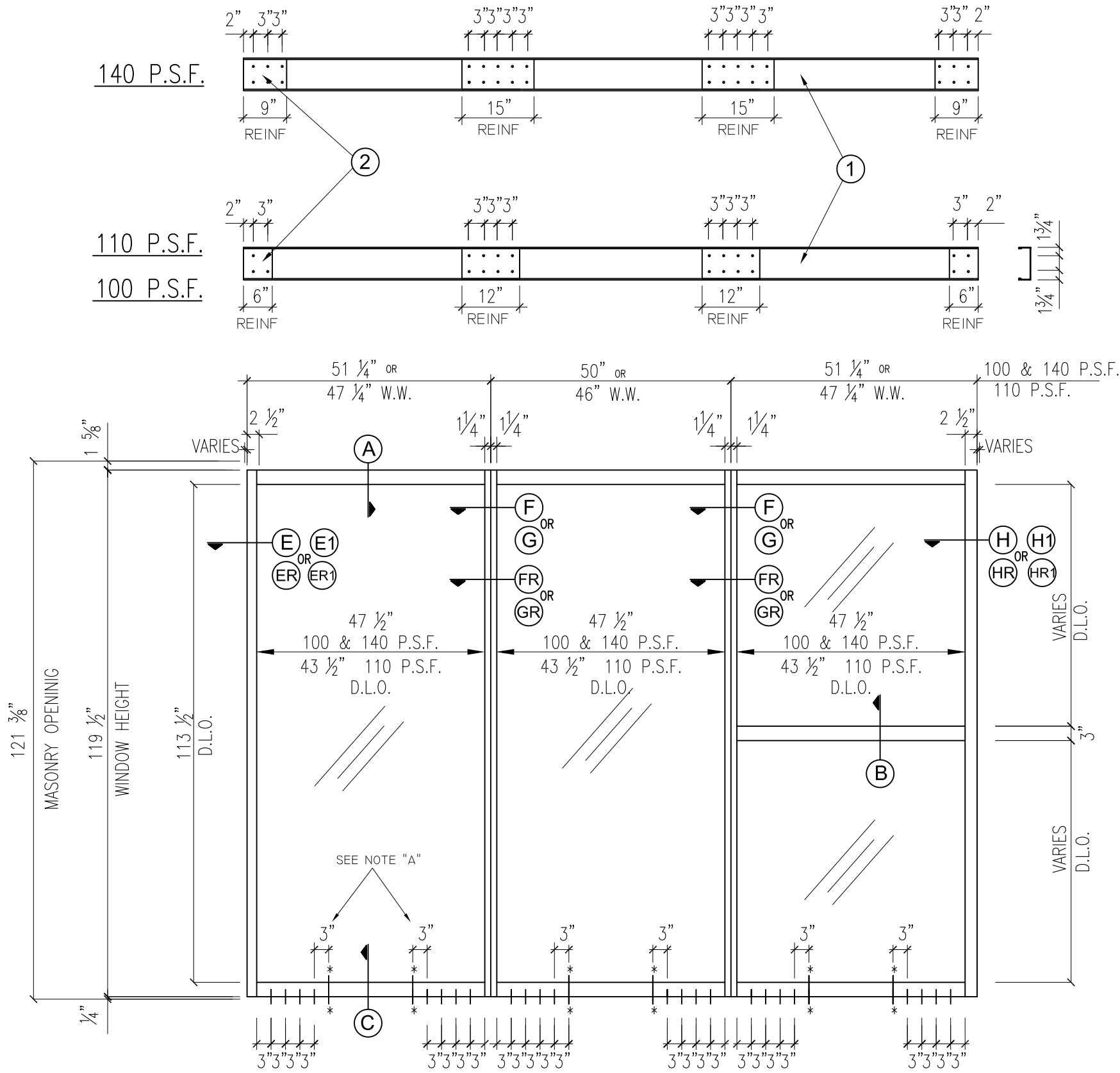


HEAD RECEPTOR

SERIES 3000 ALUMINUM WINDOW WALL SYSTEM - S.M.I.

NOTES:

1. THIS FIXED WINDOW SYSTEM IS DESIGNED AND TESTED TO COMPLY WITH THE REQUIREMENTS OF THE 5TH EDITION FLORIDA BUILDING CODE (FBC) CHAPTER 16 AND 24, UNDER THE SPECIFIC CONDITION SHOWN ON THIS DRAWING. REF. FTL No. 4728 (DATED 4th OCT. 2005)
2. ALL EXTRUSIONS ARE ALUMINUM, 6005-T5 ALLOY, WITH A MINIMUM F_y OF 35.000 P.S.I.
3. SMALL MISSILE IMPACT: INSTALLATION UP TO 30 FT ABOVE GRADE WILL REQUIRE A HURRICANE PROTECTION SYSTEM. BUT FOR INSTALLATION ABOVE 30 FT ABOVE GRADE WILL NOT REQUIRE A HURRICANE PROTECTION SYSTEM.
4. ALL INSTALLATION ANCHORS ARE 5/16"Ø ELCO ULTRACONS, 1 3/4" MIN. EMBEDMENT INTO 3515 PSI CONCRETE OR BETTER.
5. SHIMS. USE HARD PLASTIC.
6. APPROVED STRUCTURAL SILICONE:
 - A) 795 DOW CORNING
 - B) SCS 2000 BY GE
 - C) PROGLAZE SSG BY TREMCO
 - D) DOW CORNING CONTRACTORS WEATHERPROOFING SEALANT
7. APPROVED PERIMETER SILICONE SEALANT: 790 & 795 DOW CORNING



NOTE "A"

- * ADD (2) ANCHORS TO EACH PANEL WHEN LOAD = 140 P.S.F.

DESIGN LOAD CAPACITY (P.S.F.)		MULLION REINFORCING CHANNELS	MAXIMUM D.L.O. WIDTH	MAXIMUM WINDOW WIDTH
POSITIVE	NEGATIVE			
110	110	NO	43 1/2"	46"
140	140	YES	47 1/2"	50"
100	100	NO	47 1/2"	50"

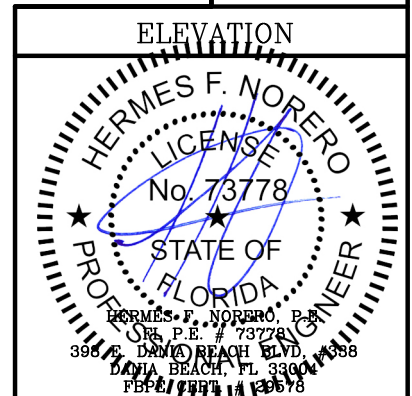
Continental Glass Systems, LLC.

325 West 74 Place
Hialeah Florida, 33014
Phone 305-231-1101 Fax 305-231-1103

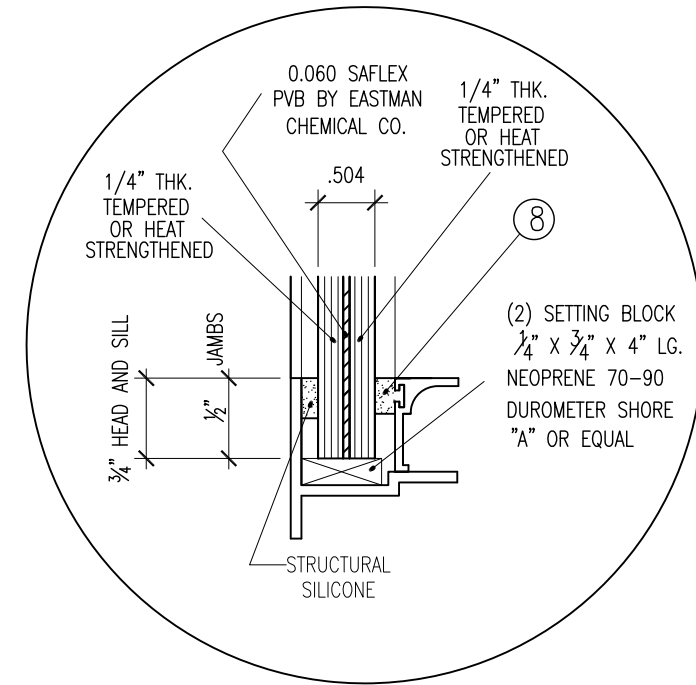
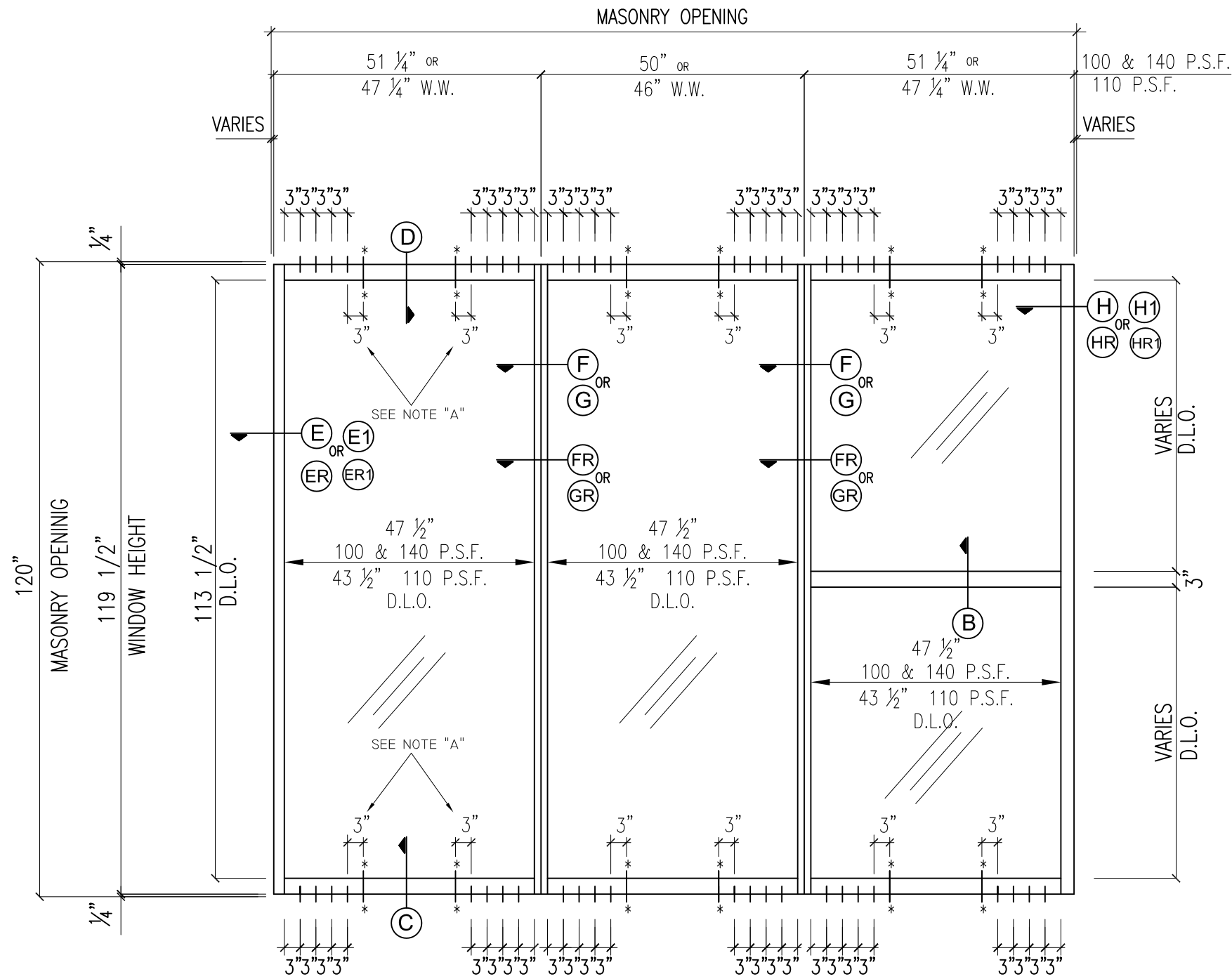
SERIES 3000 ALUMINUM WINDOW WALL SYSTEM
SMALL MISSILE

REVISION		Description
No	Date	By
1	01-04-2011	R.P.
2	11-14-2012	M.E.P.
3	5-14-2015	S.M.
4	06-30-2016	S.M.

Date	11-23-05
Scale	
Design by	G. S.
Drawing by	RICHARD
Checked by	G. S.
Drawing No.	FXD-3000-SM
Sheet	1 of 10



HEAD STANDARD FRAME



GLAZING
DETAIL

Continental Glass Systems, LLC.
325 West 74 Place
Hialeah Florida, 33014
Phone 305-231-1101 Fax 305-231-1103

SERIES 3000 ALUMINUM
WINDOW WALL SYSTEM
SMALL MISSILE

REVISION		Date	Description
No.	By	R. P.	RENEWAL
1	A	01-04-2011	PRODUCT CONTROL
2	A	11-14-2012	MD. PER. COMMENTS
3	A	06-30-2016	

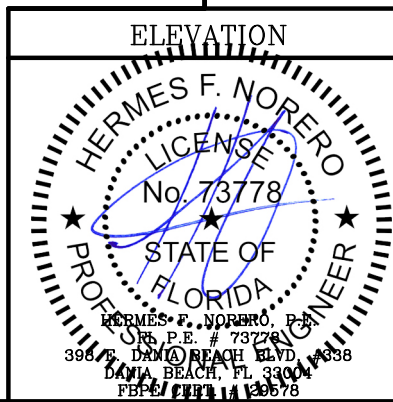
Date: 11-23-05
Scale:
Design by: G. S.
Drawing by: RICHARD
Checked by: G. S.
Drawing No.: FXD-3000-SM
Sheet 2 of 10

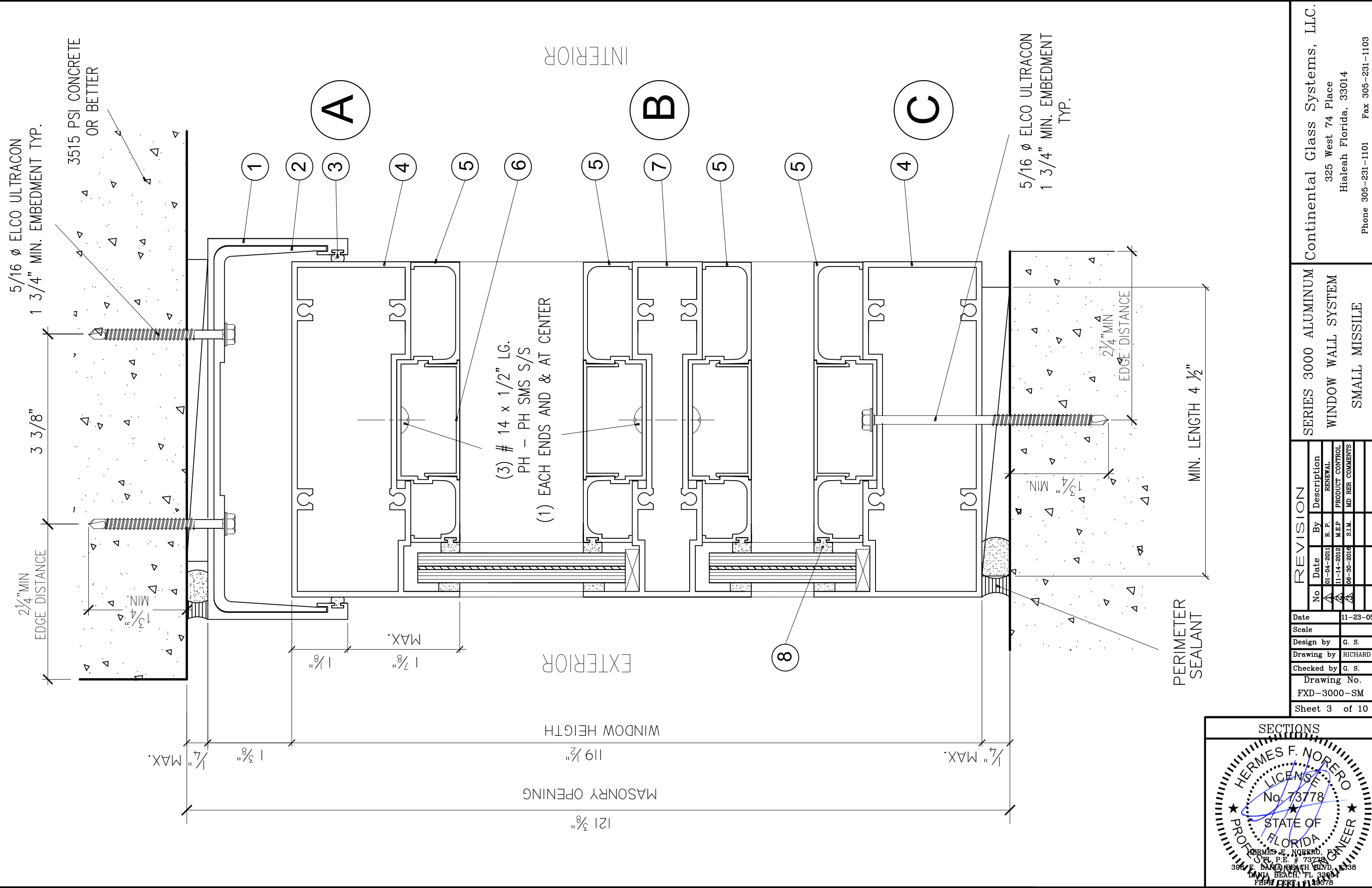
FIXED WINDOW ELEVATION
EXTERIOR VIEW

DESIGN LOAD CAPACITY (P.S.F.)		MULLION REINFORCING CHANNELS	MAXIMUM D.L.O. WIDTH	MAXIMUM WINDOW WIDTH
POSITIVE	NEGATIVE			
110	110	NO	43 1/2"	46"
140	140	YES	47 1/2"	50"
100	100	NO	47 1/2"	50"

NOTE "A"

* ADD (2) ANCHORS TO EACH
* PANEL WHEN LOAD = 140 P.S.F.





5/16 ϕ ELCO ULTRACON
 1 3/4" MIN. EMBEDMENT TYP.

3515 PSI CONCRETE
 OR BETTER

2 1/4" MIN
 EDGE DISTANCE

3 3/8"

1 3/8" MAX.

1 7/8" MAX.

1 7/8" MAX.

1 7/8" MAX.

1 7/8" MAX.

1 7/8" MAX.

1 7/8" MAX.

1 7/8" MAX.

1 7/8" MAX.

1 7/8" MAX.

1 7/8" MAX.

2 1/4" MIN
 EDGE DISTANCE

MIN. LENGTH 4 1/2"

PERIMETER SEALANT

5/16 ϕ ELCO ULTRACON
 1 3/4" MIN. EMBEDMENT
 TYP.

INTERIOR

EXTERIOR

MASONRY OPENING

WINDOW HEIGHT

(3) # 14 x 1 1/2" LG.
 PH - PH SMS S/S
 (1) EACH ENDS AND AT CENTER

A

B

C

8

Continental Glass Systems, LLC.
 325 West 74 Place
 Hialeah Florida, 33014
 Phone 305-231-1101 Fax 305-231-1103

SERIES 3000 ALUMINUM
 WINDOW WALL SYSTEM
 SMALL MISSILE

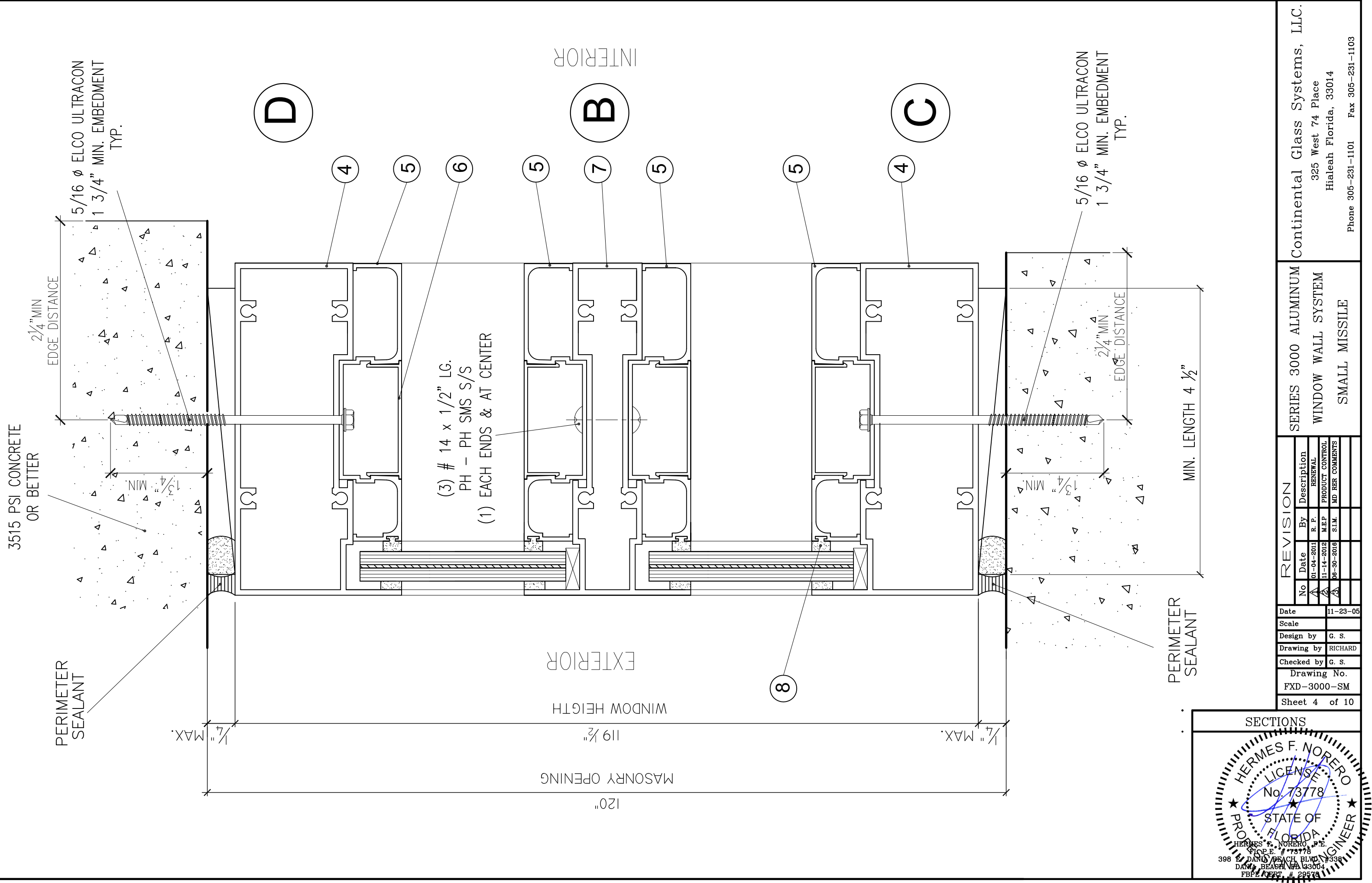
REVISION		Date	Description
No.	By	R. P.	RENEWAL
1		M.E.P.	PRODUCT CONTROL
2		S.I.M.	MD RER COMMENTS

Date 11-23-05
 Scale
 Design by G. S.
 Drawing by RICHARD
 Checked by G. S.
 Drawing No. FXD-3000-SM
 Sheet 3 of 10

SECTIONS

HERMES F. NORERO
 LICENSE
 No. 73778
 STATE OF
 FLORIDA
 PROFESSIONAL ENGINEER

HERMES F. NORERO, P.E.
 No. 73778
 398 E. DANIA BEACH BLVD., SUITE 10338
 DANIA BEACH, FL 33004
 FBPA CERT. 1113878



Continental Glass Systems, LLC.
 325 West 74 Place
 Hialeah Florida, 33014
 Phone 305-231-1101 Fax 305-231-1103

SERIES 3000 ALUMINUM WINDOW WALL SYSTEM
 SMALL MISSILE

REVISION	
No	Description
1	RENEWAL
2	PRODUCT CONTROL
3	MD RFR COMMENTS

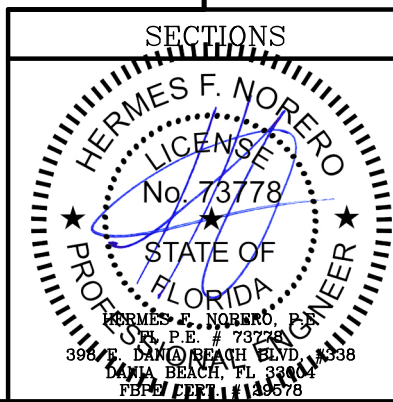
Date	11-23-05
Scale	
Design by	G. S.
Drawing by	RICHARD
Checked by	G. S.
Drawing No.	FXD-3000-SM
Sheet	4 of 10

SECTIONS

HERMES F. NORERO, P.E.
 LICENSED PROFESSIONAL ENGINEER
 STATE OF FLORIDA
 No. 73778
 398 E. DANDY BEACH BLVD #338
 DANIA BEACH, FL 33004
 FBPE CERT # 29576

REVISION		Date	By	Description
No.	1	01-04-2011	R.P.	RENEWAL
No.	2	11-14-2012	M.E.P.	PRODUCT CONTROL
No.	3	06-30-2016	S.I.M.	MD RER COMMENTS

Date	11-23-05
Scale	
Design by	G. S.
Drawing by	RICHARD
Checked by	G. S.
Drawing No.	FXD-3000-SM
Sheet	5 of 10



INTERIOR

EXTERIOR

(4) # 14 X 1" LG
 PH-PH SMS S/S
 ASSEMBLY SCREWS

CONT. SILICONE
 SEALANT

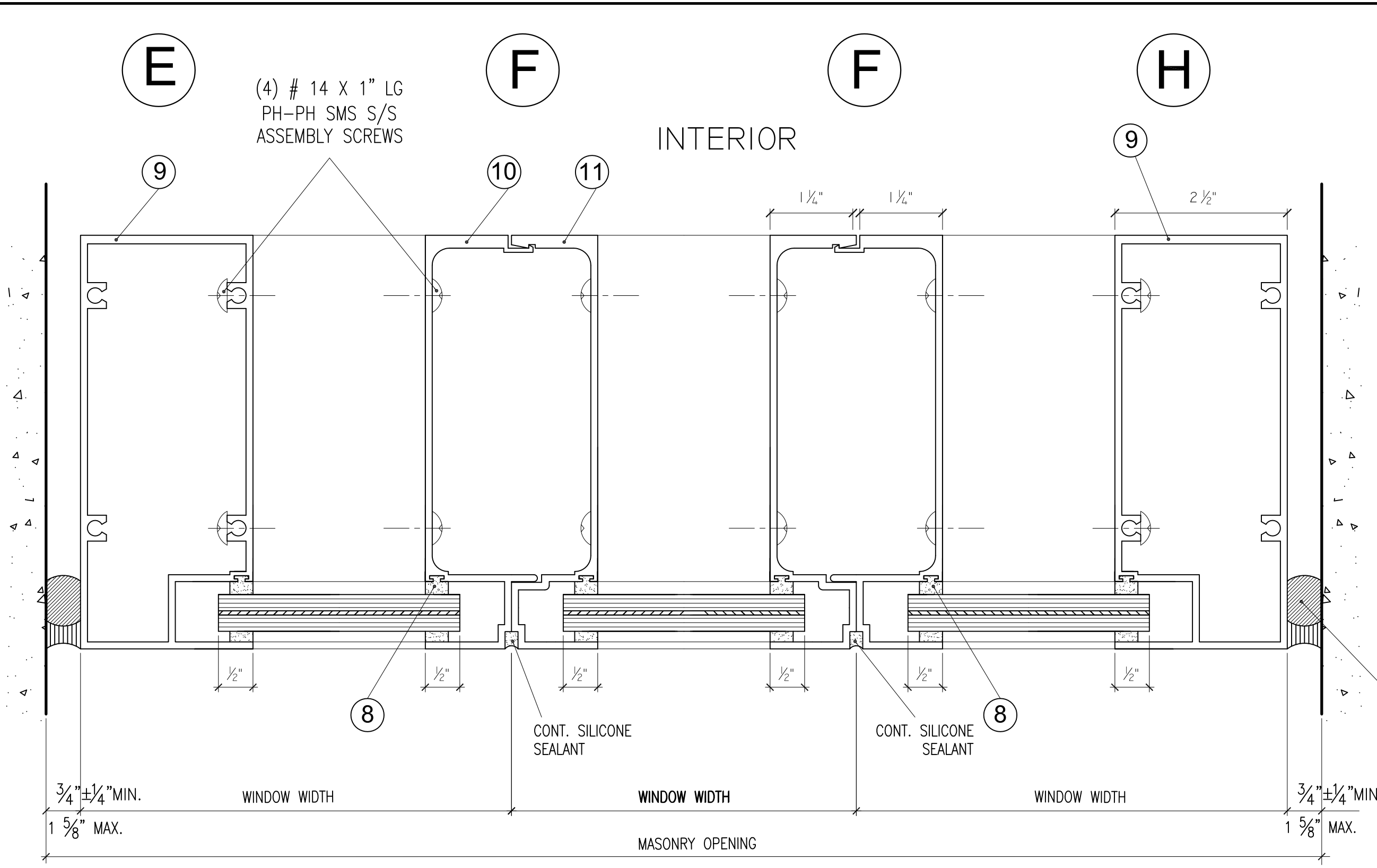
CONT. SILICONE
 SEALANT

PERIMETER
 SEALANT

- NOTES:
1. BACKER ROD DIAMETER EQUALS SEALANT WIDTH x 120%
 2. SEALANT WIDTH TO DEPTH RATIO SHALL BE 2:1 FOR WIDTHS UP TO 1". USE 1/2" DEPTH FOR WIDTHS GREATER THAN 1".

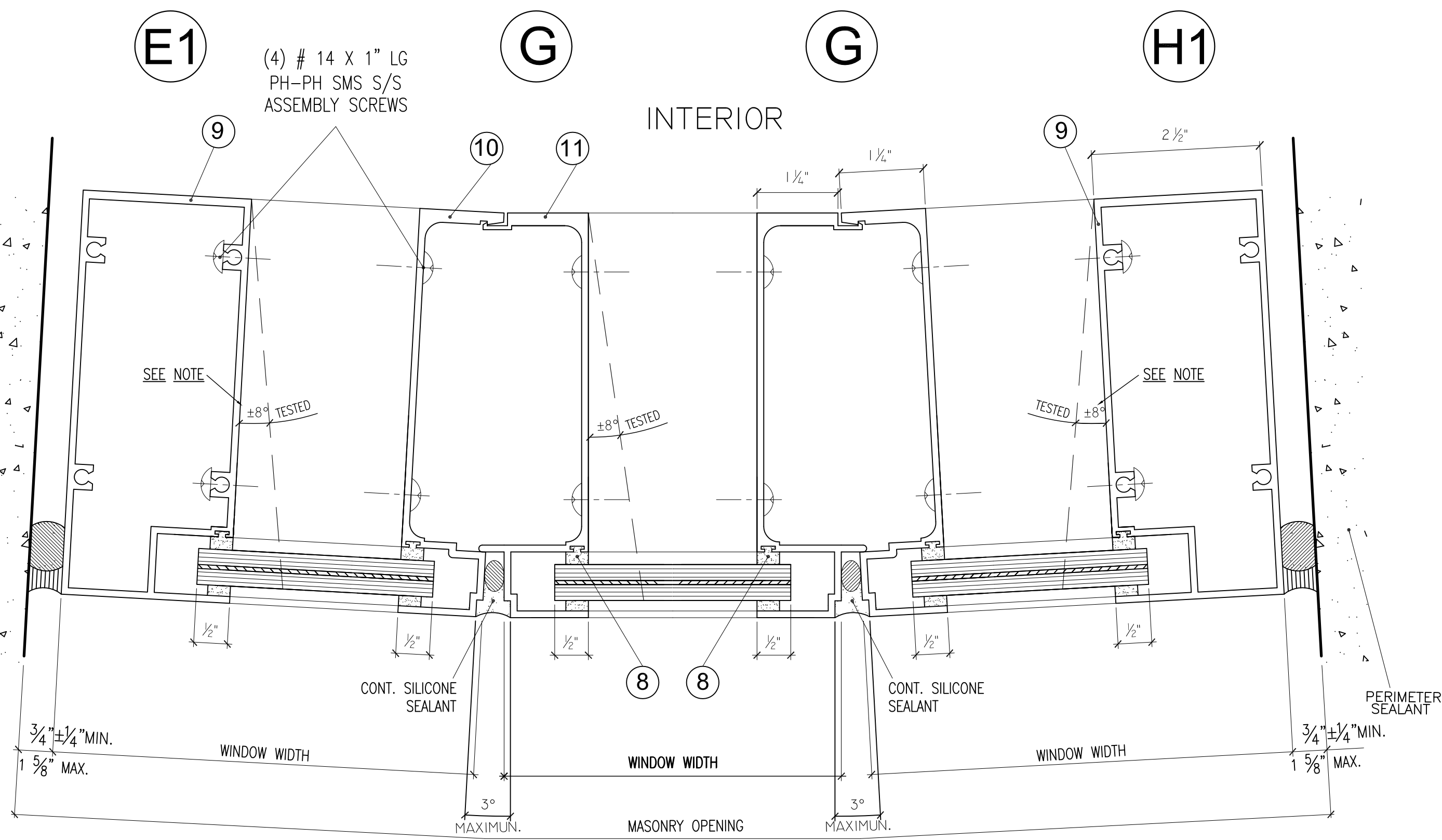
DESIGN LOAD CAPACITY (P.S.F.)		MULLION REINFORCING CHANNELS
POSITIVE	NEGATIVE	
110	110	NO
100	100	NO

NOTE:
 THE HEAD, SILL & INTERMEDIATE MEMBERS MITER UP TO 8°



REVISION	
No	Description
1	RENEWAL
2	PRODUCT CONTROL
3	MD RER COMMENTS

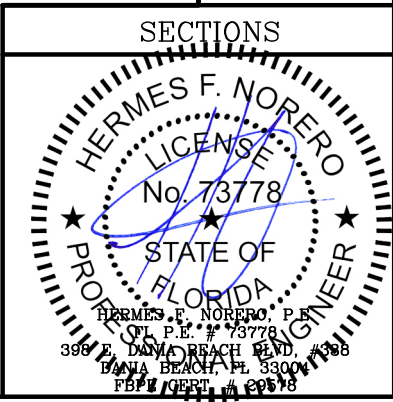
Date	11-23-05
Scale	
Design by	G. S.
Drawing by	RICHARD
Checked by	G. S.
Drawing No.	FXD-3000-SM
Sheet	6 of 10



- NOTES:**
1. BACKER ROD DIAMETER EQUALS SEALANT WIDTH x 120%
 2. SEALANT WIDTH TO DEPTH RATIO SHALL BE 2:1 FOR WIDTHS UP TO 1". USE 1/2" DEPTH FOR WIDTHS GREATER THAN 1".

DESIGN LOAD CAPACITY (P.S.F.)		MULLION REINFORCING CHANNELS
POSITIVE	NEGATIVE	
110	110	NO
100	100	NO

NOTE:
 THE HEAD, SILL & INTERMEDIATE MEMBERS MITER UP TO 8°



EXTERIOR

INTERIOR

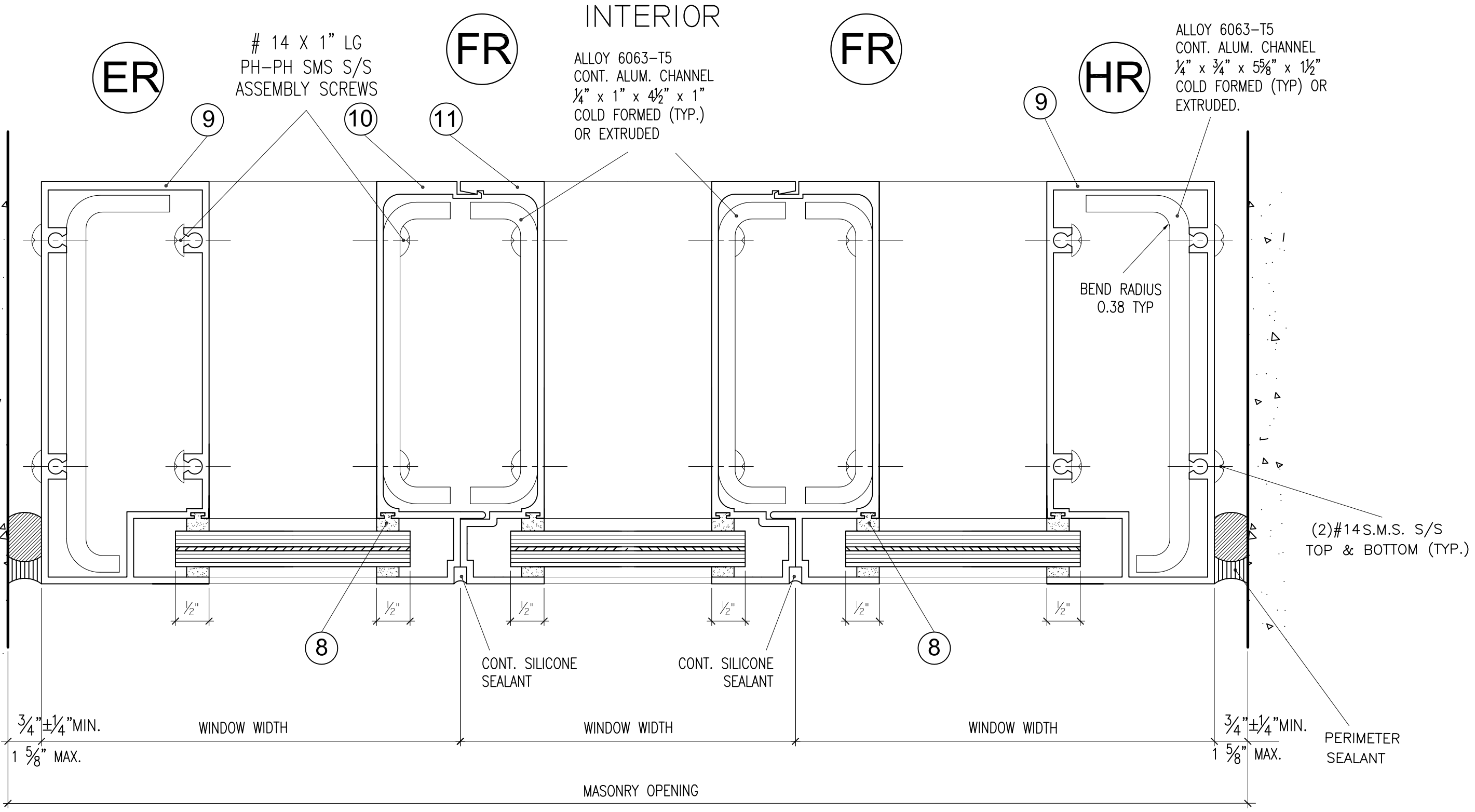
REVISION	
No	Description
1	RENEWAL
2	PRODUCT CONTROL
3	MD RFR COMMENTS

Date	11-23-05
Scale	
Design by	G. S.
Drawing by	RICHARD
Checked by	G. S.
Drawing No.	FXD-3000-SM
Sheet	7 of 10

INTERIOR

ALLOY 6063-T5
 CONT. ALUM. CHANNEL
 1/4" x 1" x 4 1/2" x 1"
 COLD FORMED (TYP.)
 OR EXTRUDED

ALLOY 6063-T5
 CONT. ALUM. CHANNEL
 1/4" x 3/4" x 5/8" x 1 1/2"
 COLD FORMED (TYP.) OR
 EXTRUDED.



EXTERIOR

- NOTES:
1. BACKER ROD DIAMETER EQUALS SEALANT WIDTH x 120%
 2. SEALANT WIDTH TO DEPTH RATIO SHALL BE 2:1 FOR WIDTHS UP TO 1". USE 1/2" DEPTH FOR WIDTHS GREATER THAN 1".

DESIGN LOAD CAPACITY (P.S.F.)		MULLION REINFORCING CHANNELS
POSITIVE	NEGATIVE	
140	140	YES

NOTE:
 THE HEAD, SILL & INTERMEDIATE MEMBERS MITER UP TO 8°

SECTIONS

INTERIOR

ALLOY 6063-T5
CONT. ALUM. CHANNEL
1/4" x 1" x 4 1/2" x 1"
COLD FORMED (TYP.)
OR EXTRUDED

ALLOY 6063-T5
CONT. ALUM. CHANNEL
1/4" x 3/4" x 5 5/8" x 1 1/2"
COLD FORMED (TYP) OR
EXTRUDED.

ER1

14 X 1" LG
PH-PH SMS S/S
ASSEMBLY SCREWS

GR

GR

HR1

9

10

11

9

2 1/2"

BEND RADIUS
0.38 TYP

SEE NOTE

±8° TESTED

±8° TESTED

BEND RADIUS
0.38 TYP

SEE NOTE

TESTED ±8°

(2)#14 S.M.S. S/S
TOP & BOTTOM (TYP.)

1/2"

1/2"

1/2"

1/2"

1/2"

1/2"

CONT. SILICONE
SEALANT

CONT. SILICONE
SEALANT

PERIMETER
SEALANT

8

3/4" ± 1/4" MIN.
1 5/8" MAX.

WINDOW WIDTH

WINDOW WIDTH

WINDOW WIDTH

3/4" ± 1/4" MIN.
1 5/8" MAX.

3°
MAXIMUM

3°
MAXIMUM

MASONRY OPENING

EXTERIOR

NOTES:

1. BACKER ROD DIAMETER EQUALS SEALANT WIDTH x 120%
2. SEALANT WIDTH TO DEPTH RATIO SHALL BE 2:1 FOR WIDTHS UP TO 1". USE 1/2" DEPTH FOR WIDTHS GREATER THAN 1".

DESIGN LOAD CAPACITY (P.S.F.)		MULLION REINFORCING CHANNELS
POSITIVE	NEGATIVE	
140	140	YES

NOTE:
THE HEAD , SILL & INTERMEDIATE MEMBERS MITER UP TO 8°

Continental Glass Systems, LLC.
325 West 74 Place
Hialeah Florida, 33014
Phone 305-231-1101 Fax 305-231-1103

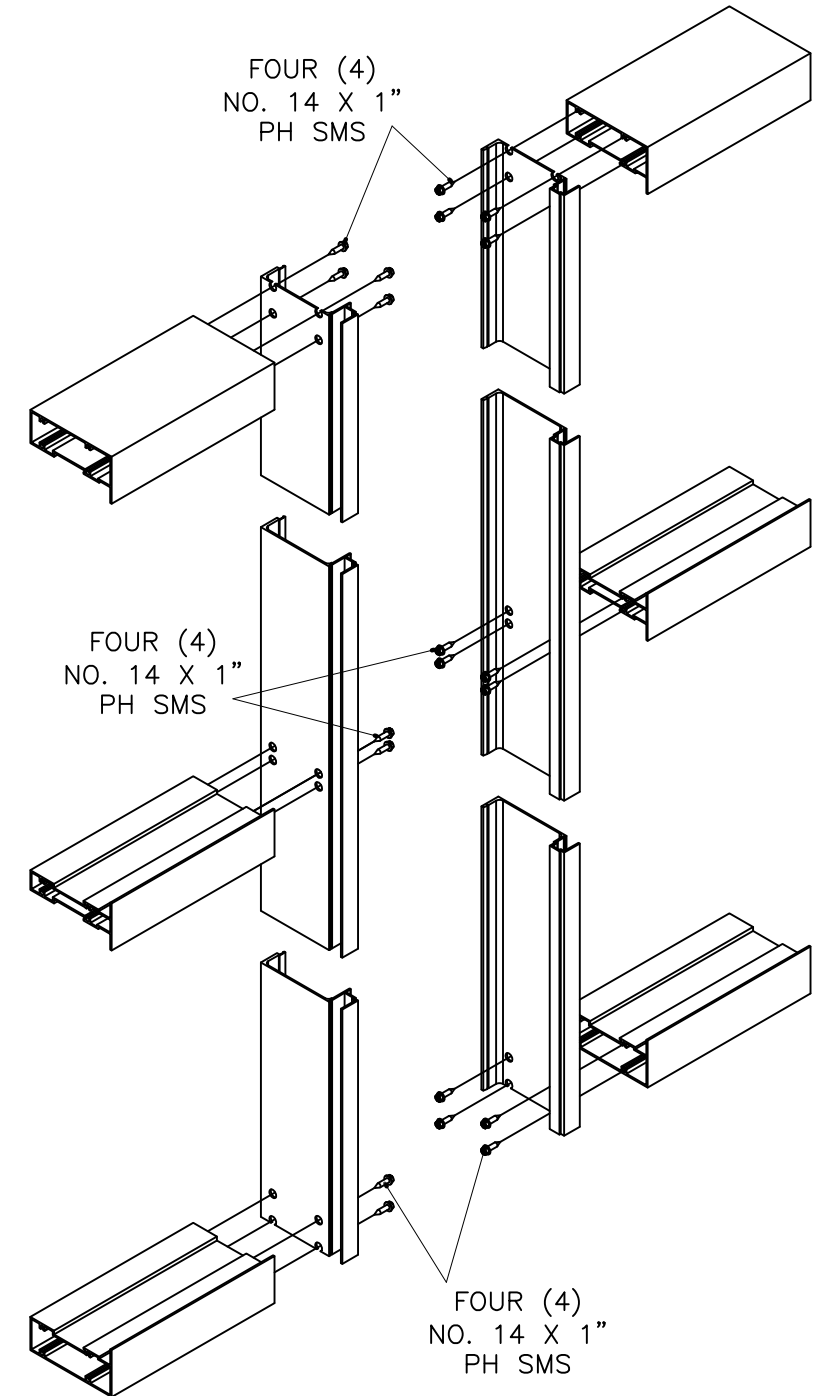
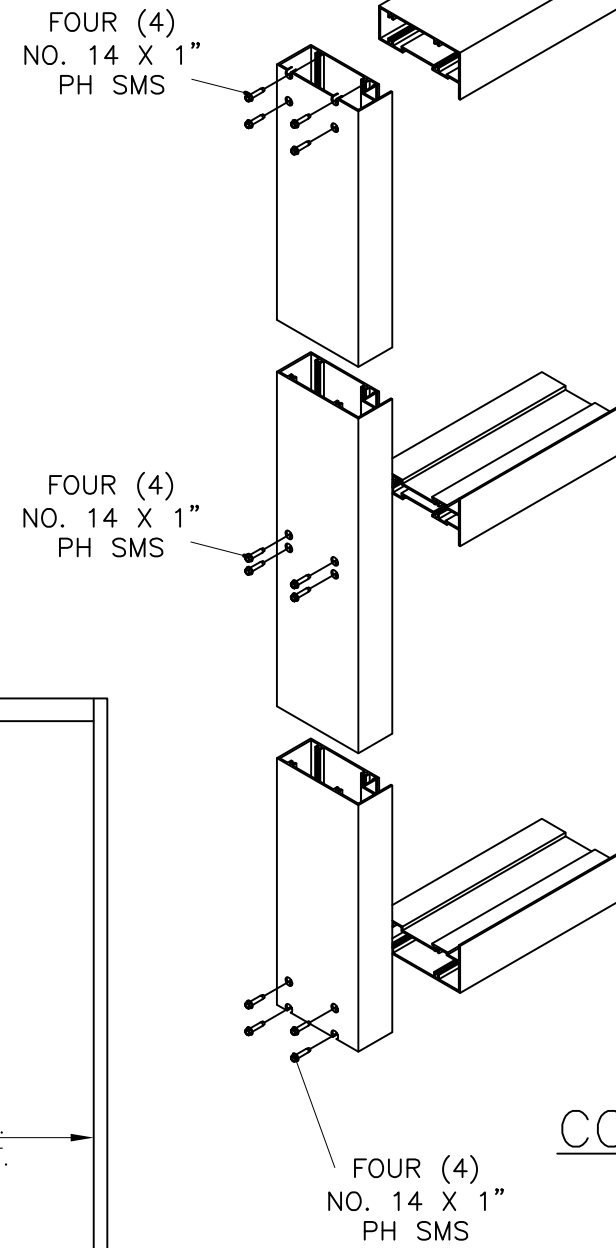
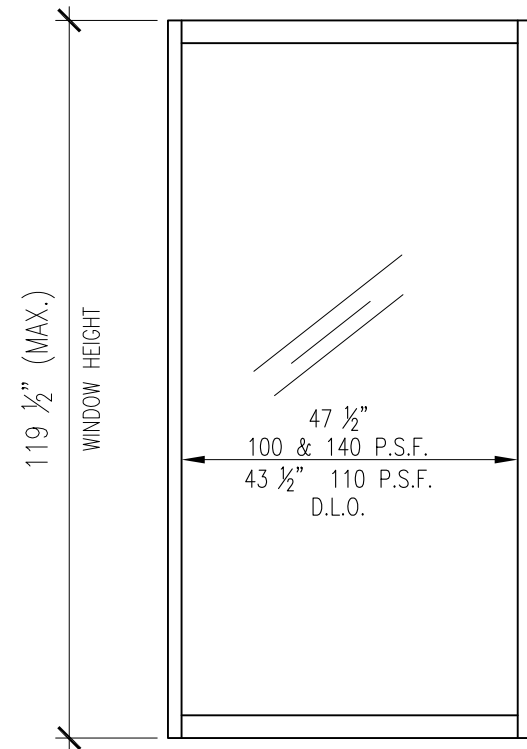
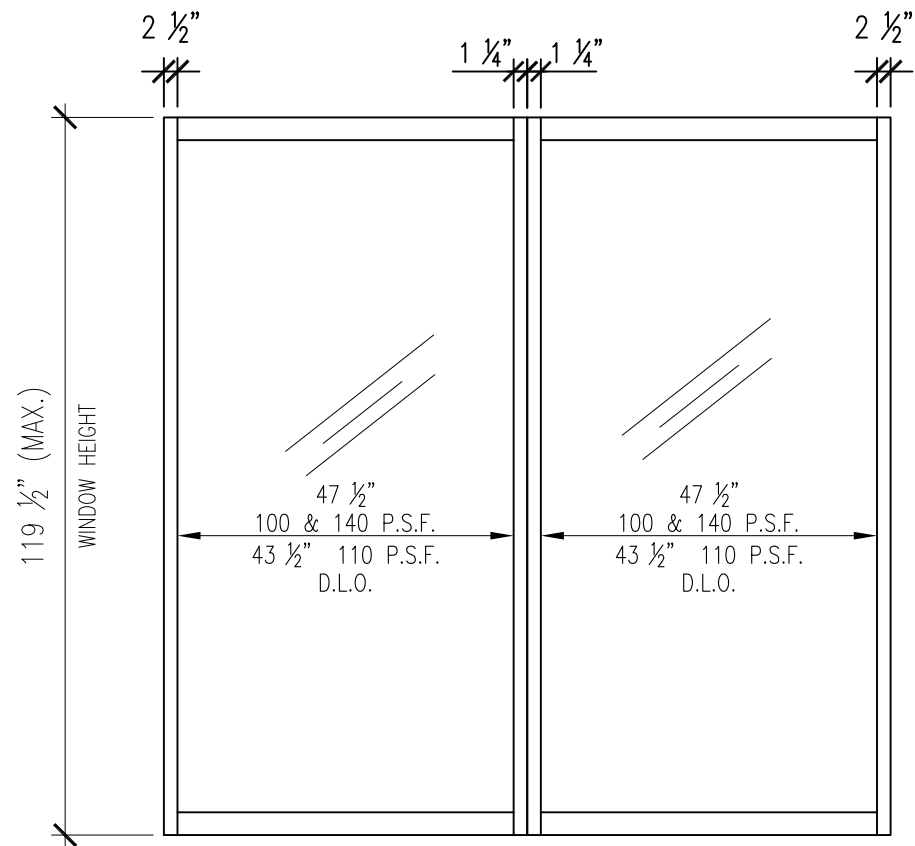
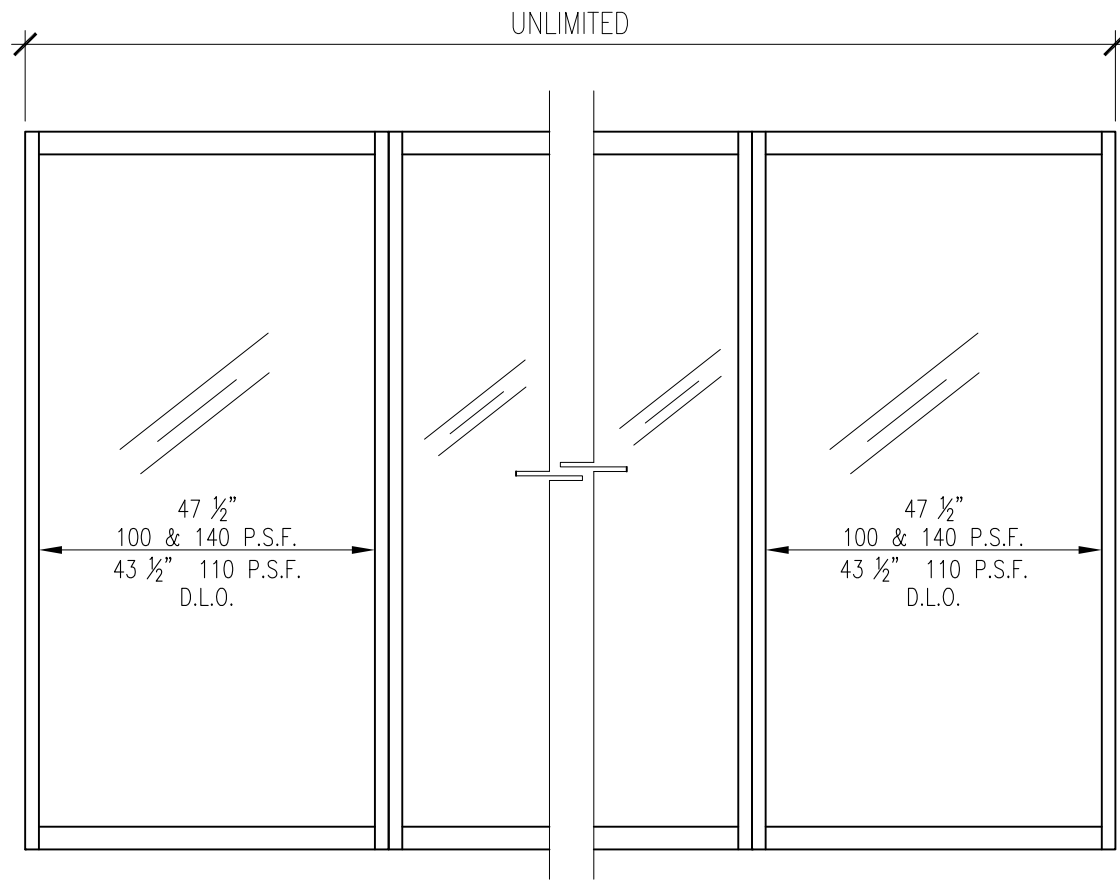
SERIES 3000 ALUMINUM WINDOW WALL SYSTEM
SMALL MISSILE

REVISION No	Date	Description
1	01-04-2011	RENEWAL
2	11-14-2012	PRODUCT CONTROL
3	06-30-2016	MD RER COMMENTS

Date 11-23-05
Scale
Design by G. S.
Drawing by RICHARD
Checked by G. S.
Drawing No. FXD-3000-SM
Sheet 8 of 10

SECTIONS

HERMES F. NORERO, P.E.
398 E. DANCO BEACH BLVD.
DAVIA BEACH, FL 33004
FBP/1997-11-20-78



CONSTRUCTION DETAILS

Continental Glass Systems, LLC.

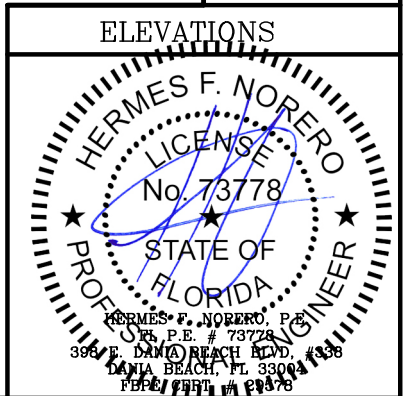
325 West 74 Place
Hialeah Florida, 33014

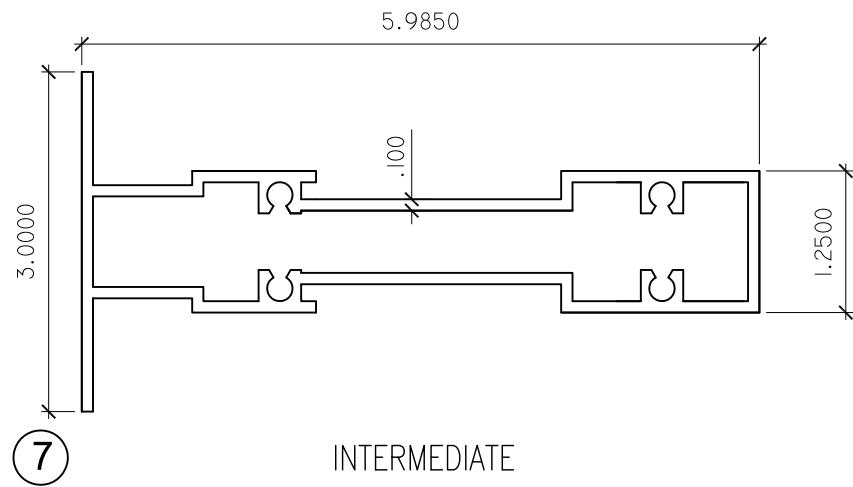
Phone 305-231-1101 Fax 305-231-1103

SERIES 3000 ALUMINUM WINDOW WALL SYSTEM
SMALL MISSILE

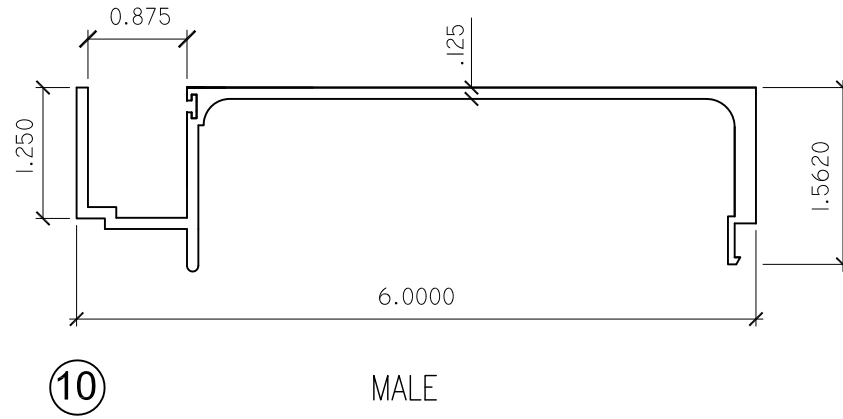
REVISION		Description
No.	Date	By
1	01-04-2011	R. P.
2	11-14-2012	M.E.P.
3	06-30-2016	S.I.M.
		MD RER COMMENTS

Date	11-23-05
Scale	
Design by	G. S.
Drawing by	RICHARD
Checked by	G. S.
Drawing No.	FXD-3000-SM
Sheet	9 of 10

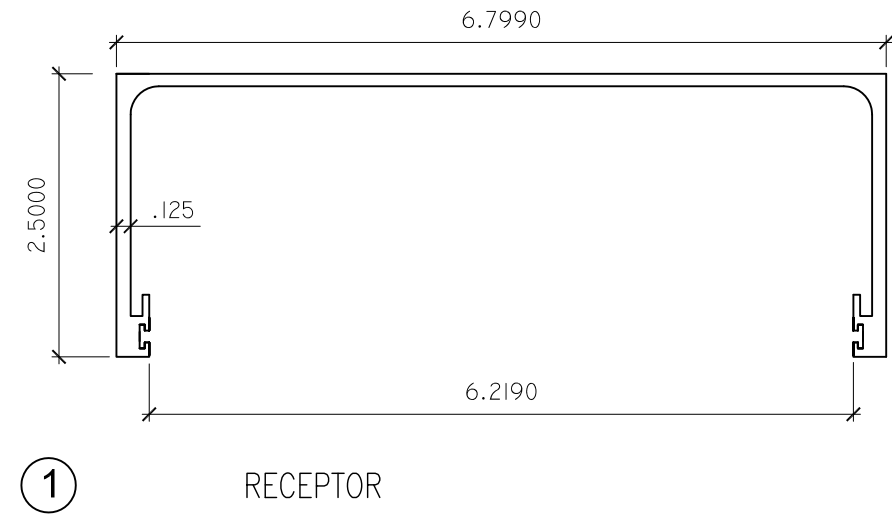




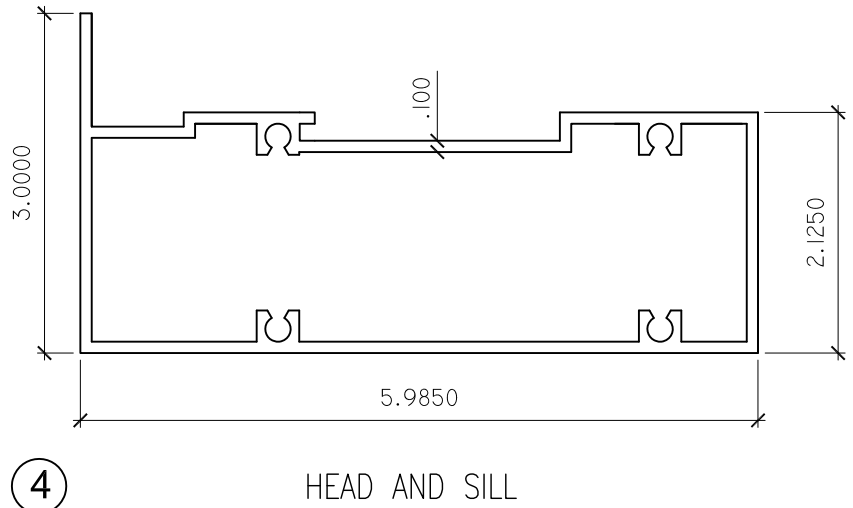
7 INTERMEDIATE



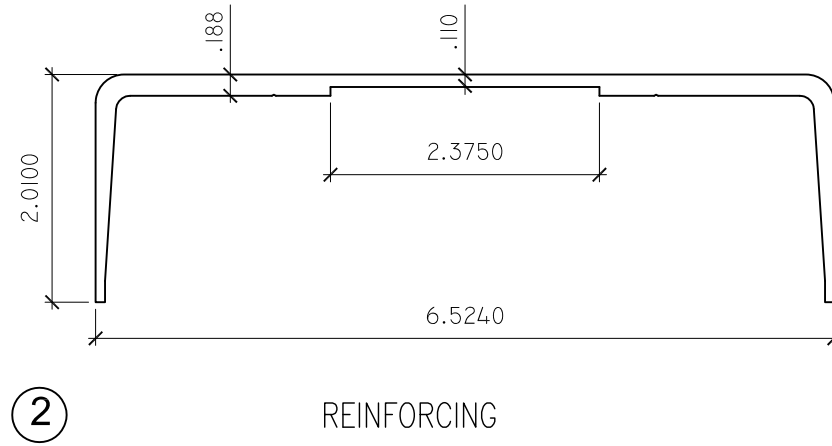
10 MALE



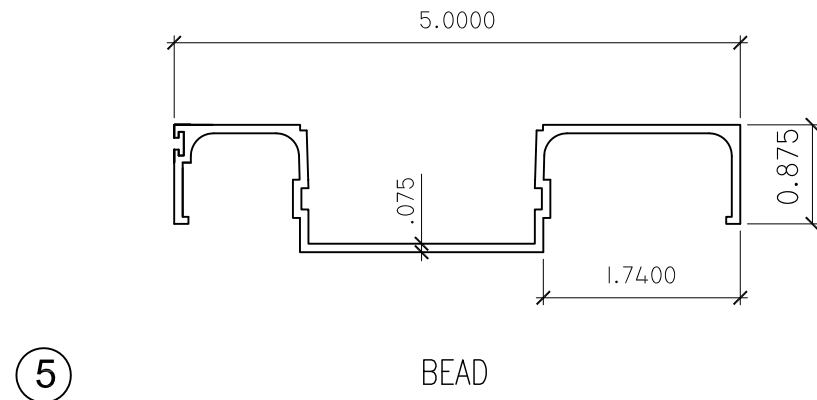
1 RECEPTOR



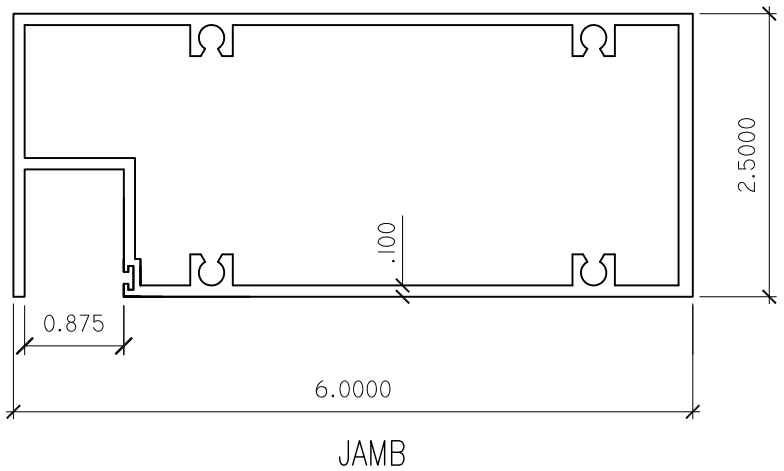
4 HEAD AND SILL



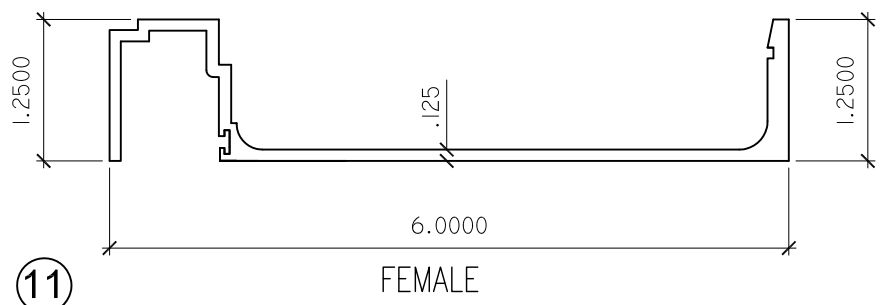
2 REINFORCING



5 BEAD

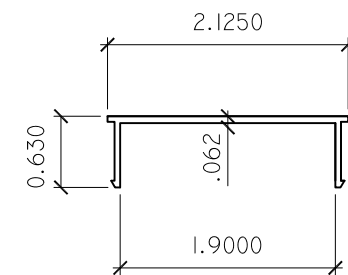


9 JAMB



11 FEMALE

ITEM NUMBER	PART NUMBER	PART NAME	ALLOY & TEMPER
1	2000 - 07	RECEPTOR	6005-T5
2	2000 - 16	REINFORCING	6005-T5
3	FP-448-V	VINYL BULB	
4	3000 - 01	HEAD AND SILL	6005-T5
5	3000 - 03	BEAD	6005-T5
6	3000 - 07	COVER	6005-T5
7	3000 - 02	INTERMEDIATE	6005-T5
8	CGS - 01	GLASS SPACING	
9	3000 - 04	JAMB	6005-T5
10	3000 - 05	MALE	6005-T5
11	3000 - 06	FEMALE	6005-T5



6 COVER
NOT USED ON THE TEST

Continental Glass Systems, LLC.
325 West 74 Place
Hialeah Florida, 33014
Phone 305-231-1101 Fax 305-231-1103

SERIES 3000 ALUMINUM
WINDOW WALL SYSTEM
SMALL MISSILE

REVISION		No	Date	By	Description
1		A	01-04-2011	R. P.	RENEWAL
2		A	11-14-2012	M.E.P.	PRODUCT CONTROL
3		A	06-30-2016	S.I.M.	MD RER COMMENTS

Date: 11-23-05
Scale:
Design by: G. S.
Drawing by: RICHARD
Checked by: G. S.
Drawing No.: FXD-3000-SM
Sheet 10 of 10

EXTRUSIONS AND PARTS

